

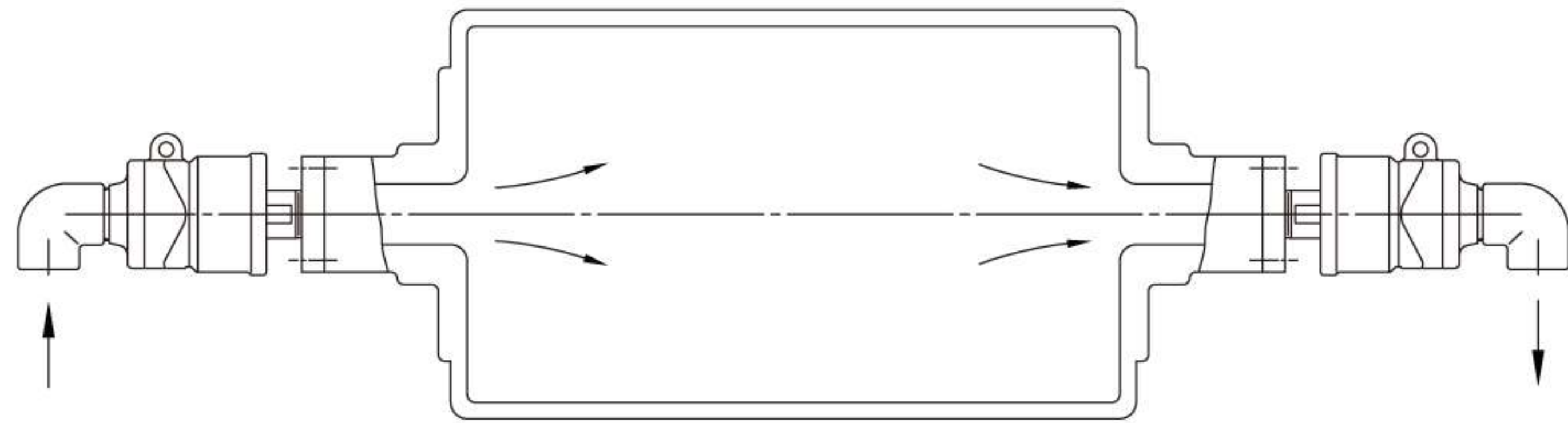
## MONFLOW

### 單流式

One rotary joint is fixed at both ends of the roll, one end for in and the other end for out without use of an internal pipe.

在滾輪的兩端各裝一只旋轉接頭，一端進一端出，不使用內管。

Fig.1



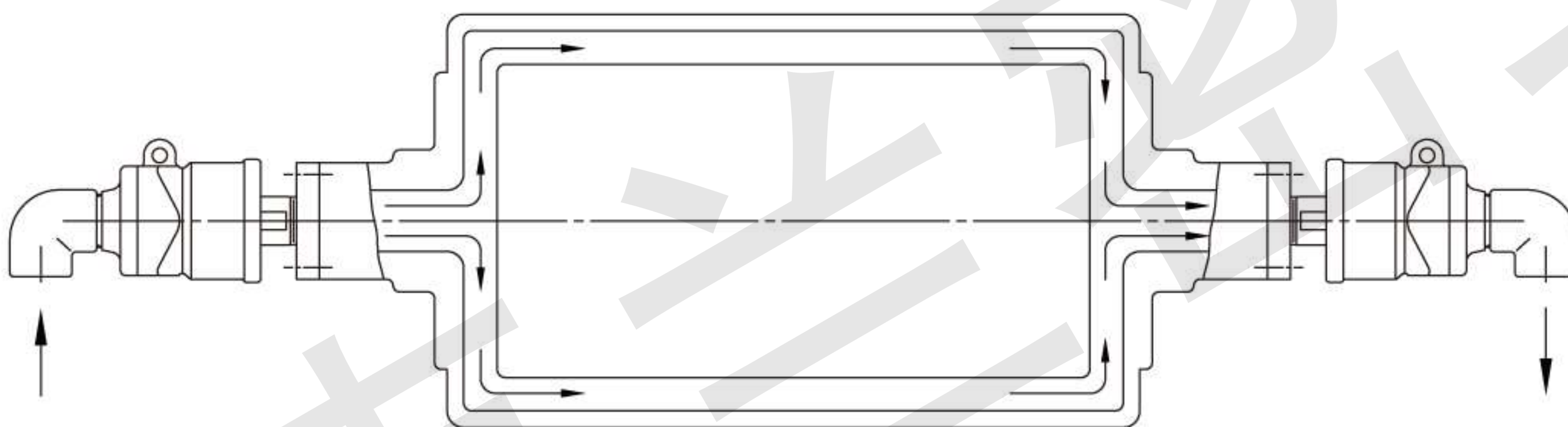
## MONFLOW

### 單流式

One rotary joint is fixed at both ends of the jacket roll, one end for in and the other end for out without use of an internal pipe.

在夾層滾輪的兩端各裝一只旋轉接頭，一端進一端出，不使用內管。

Fig.2



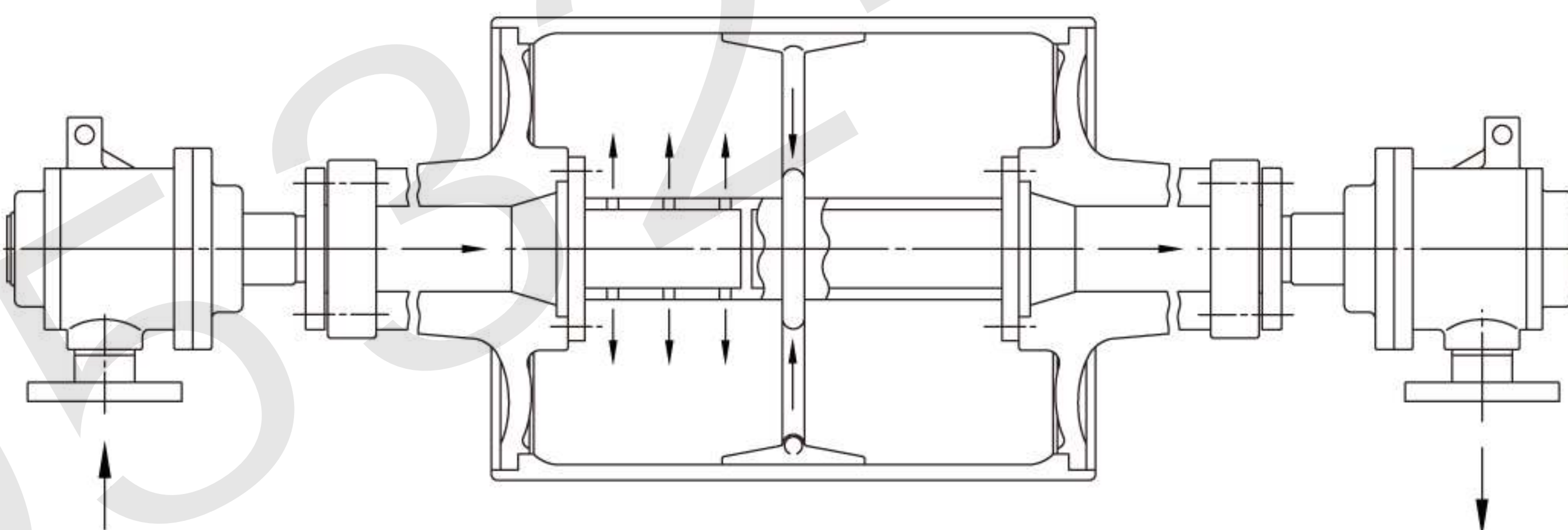
## MONFLOW

### 單流式

This type is used for a king-size dryer with steam input at one end. Then, the water is discharged via the condensate collector at the inboard of the dryer from the other end.

此一裝置用於大型之烘缸，一端輸入蒸氣然後經由輪內側之冷凝水收集器，將水排出方式。

Fig.3



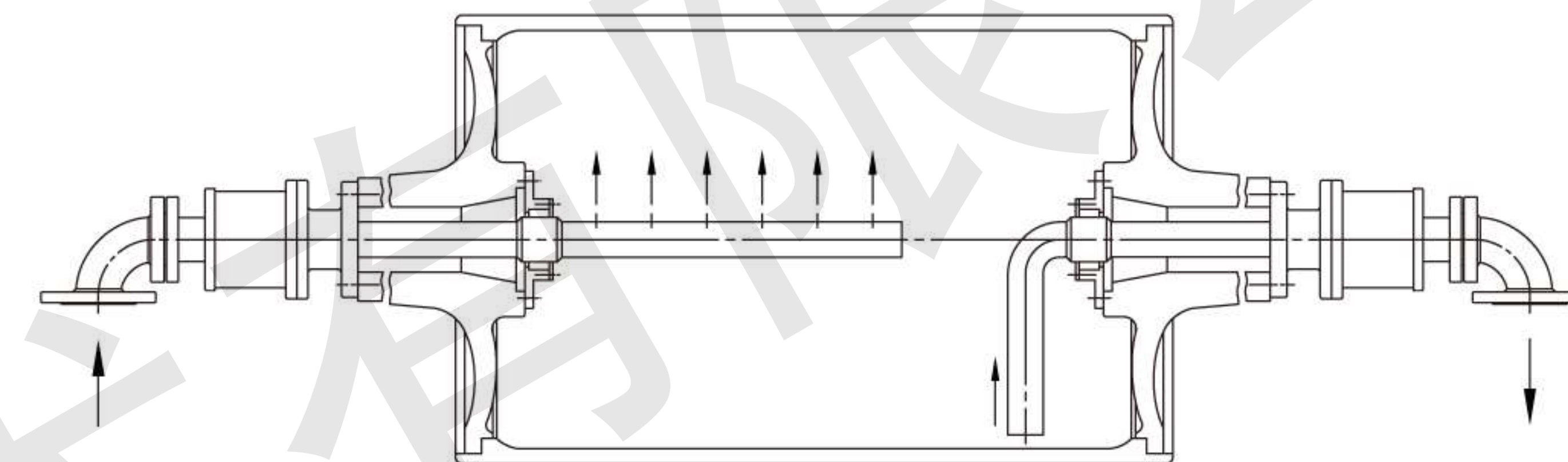
## MONFLOW

### 單流式

For this type, the internal pipe is extended and sprays fluid ( steam, water ) into the dryer ensuring an even temperature.

此型內管裝置可將入口之流體（水、水蒸氣）延伸至輪中噴出，以達均勻效果。

Fig.4



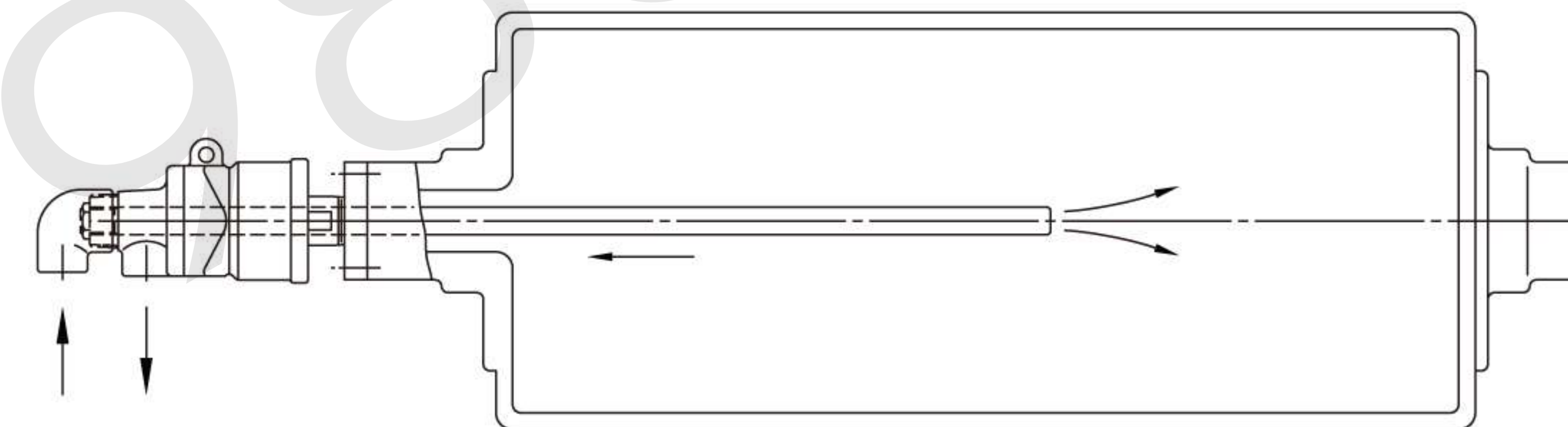
## DUOFLOW FIXED INTERNAL PIPE

### 複流式（內管固定）

This type uses a parallel internal pipe and is used frequently for small rolls.

此型使用平行內管方式，用於小型滾輪較多。

Fig.5



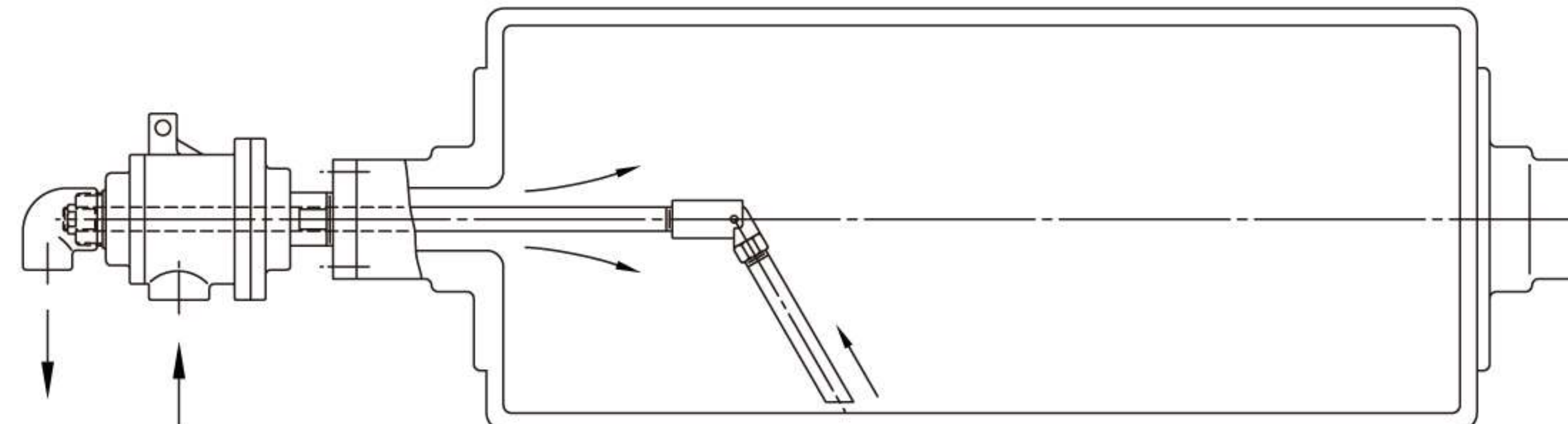
## DUOFLOW FIXED INTERNAL PIPE ( SYPHON )

### 複流式（內管固定）

For this type, a syphon elbow is used in conjunction with the internal pipe.

此型內管採用吸水彎頭方式。

Fig.6



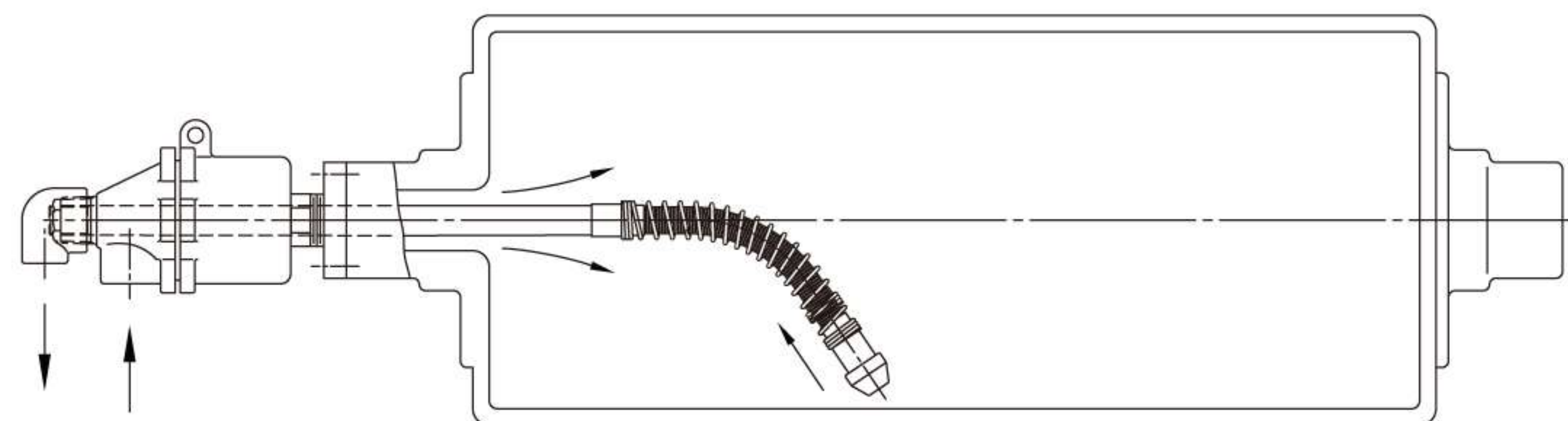
### DUOFLOW FIXED INTERNAL PIPE (SYPHON)

複流式 (內管固定)

For this type, a special flexible tube is used in conjunction with the internal pipe.

此型內管採用一特殊可撓性的軟管搭配使用。

Fig.1



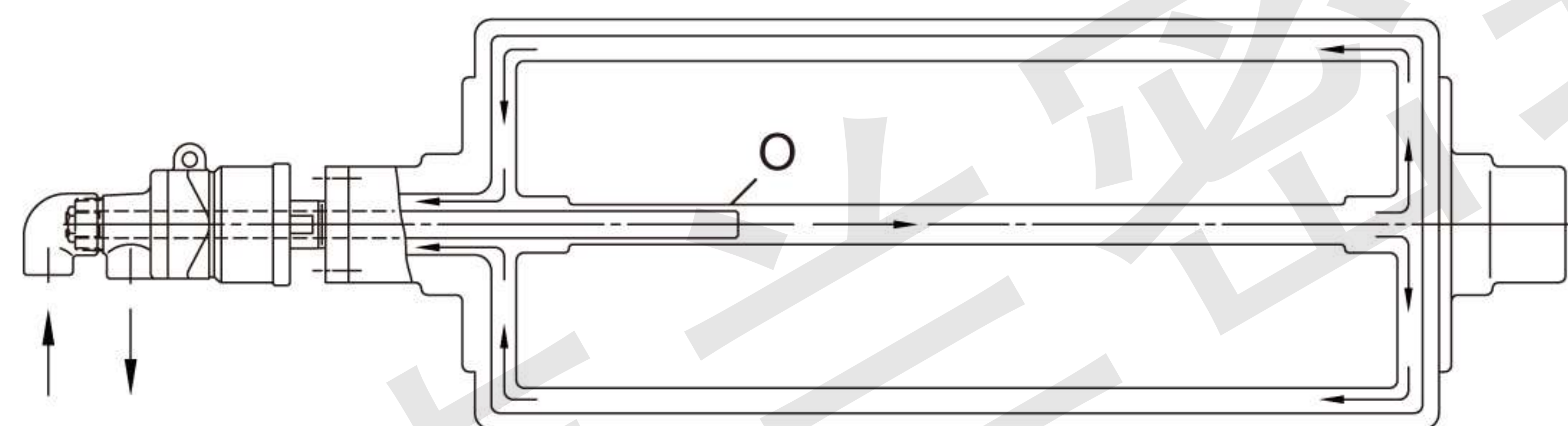
### DUOFLOW FIXED INTERNAL PIPE

複流式 (內管固定)

This type is a jacket roll with a fixed internal pipe. Its disadvantage is internal pipe wear and / or back flow at position "O".

此型為夾層滾輪使用內管固定方式，其缺點為在 "O" 處易造成內管磨損或回流現象。

Fig.2



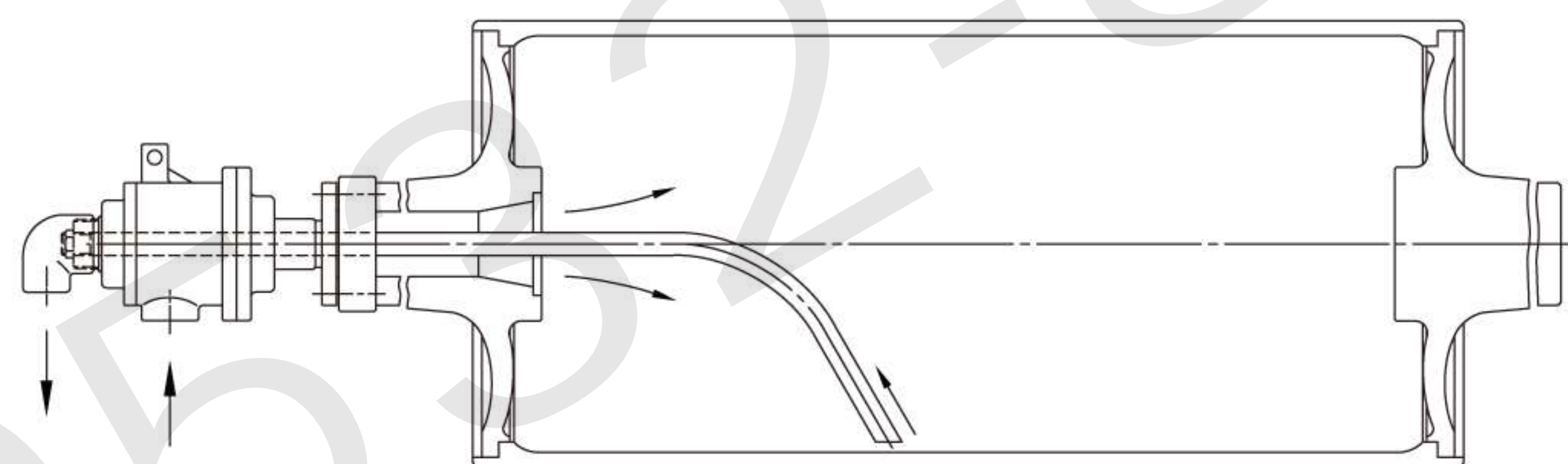
### DUOFLOW FIXED INTERNAL PIPE (SYPHON)

複流式 (內管固定)

A bent syphon is directly fitted into the dryer. During installation of the syphon, entrance has to be made from the manhole.

大型烘缸直接裝置一彎曲的虹吸管，裝置時需由人孔進入。

Fig.3



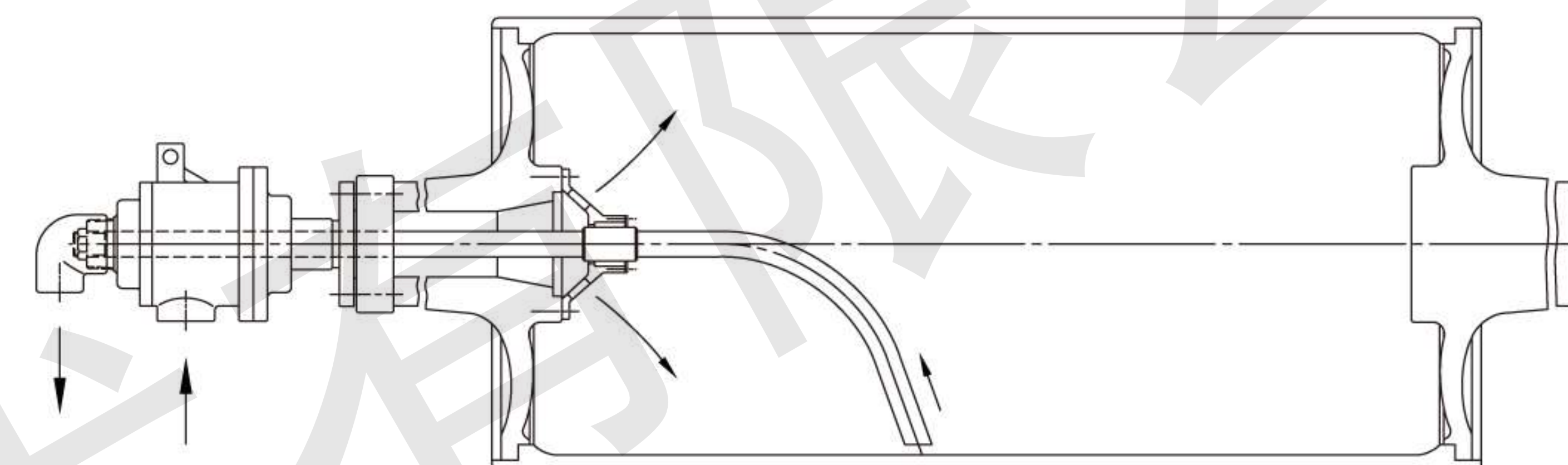
### DUOFLOW FIXED INTERNAL PIPE (SYPHON)

複流式 (內管固定)

This type shows the inboard of the dryer, into which an additional internal pipe supporting device is mounted.

此型為在烘缸的內側加裝內管支撐裝置。

Fig.4



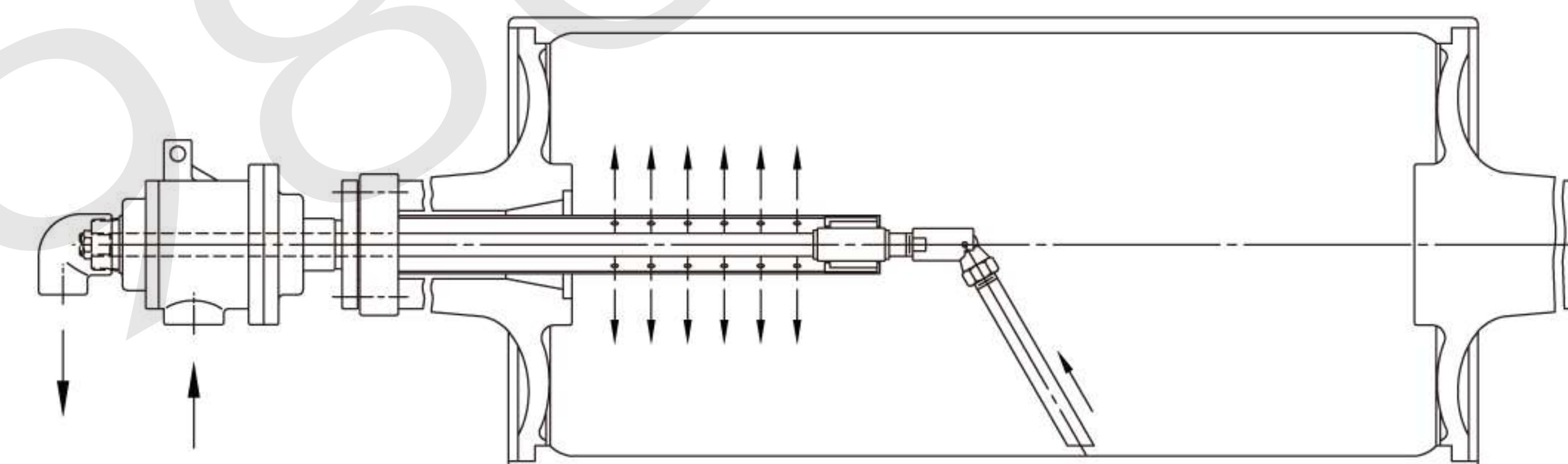
### DUOFLOW FIXED INTERNAL PIPE (SYPHON)

複流式 (內管固定)

This type has a guide pipe that sprays steam and supports the internal pipe.

此型裝有蒸氣導管裝置，並具有支撐內管功能。

Fig.5



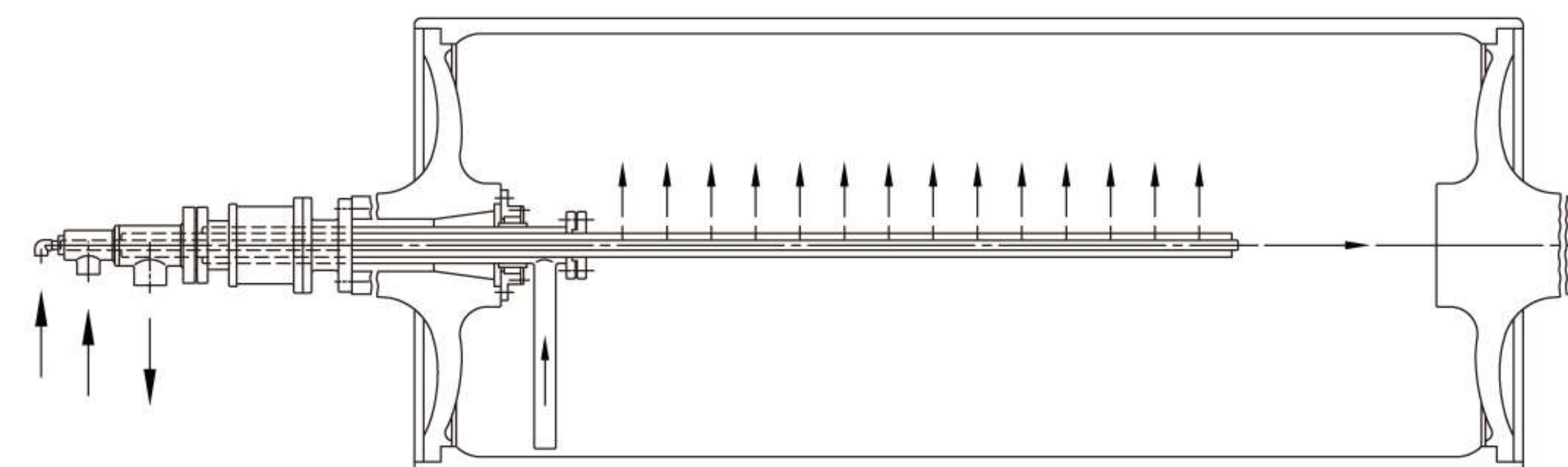
### DUOFLOW FIXED INTERNAL PIPE

複流式 (內管固定)

This cooling roll possesses spraying, cooling and pressurized water discharge functions.

此型為冷卻缸設計，有噴水冷卻及加壓排水功能。

Fig.6



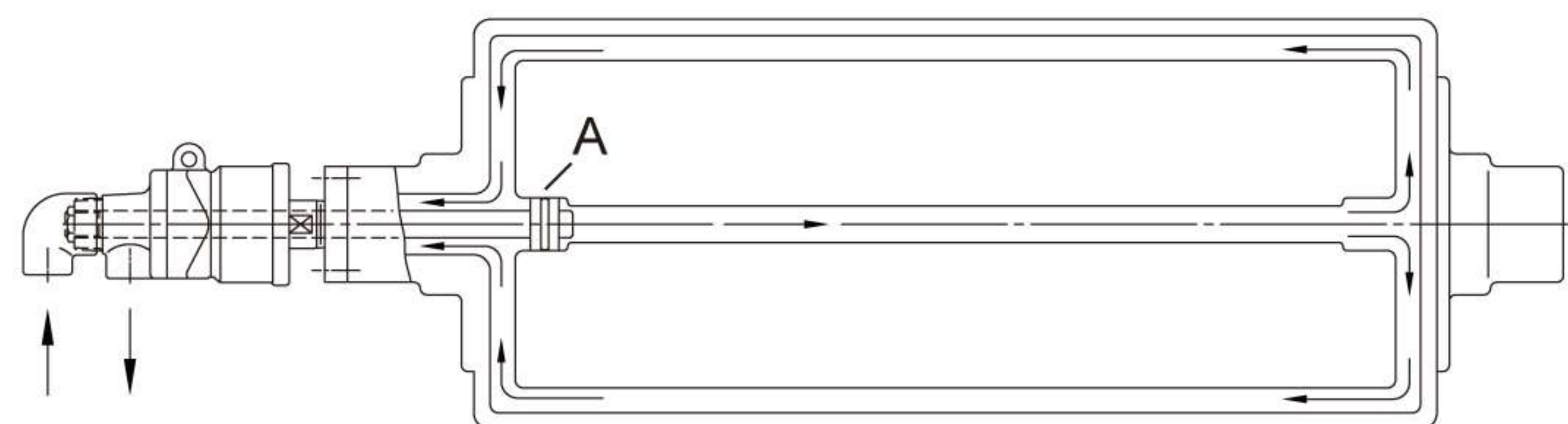
### DUOFLOW ROTATING INTERNAL PIPE

複流式 (內管旋轉)

This type uses a jacket roll with a rotating internal pipe with a tight connection made at position "A".

此型為夾層輪使用內管旋轉型方式，在“A”處可做緊密的連接。

Fig.1



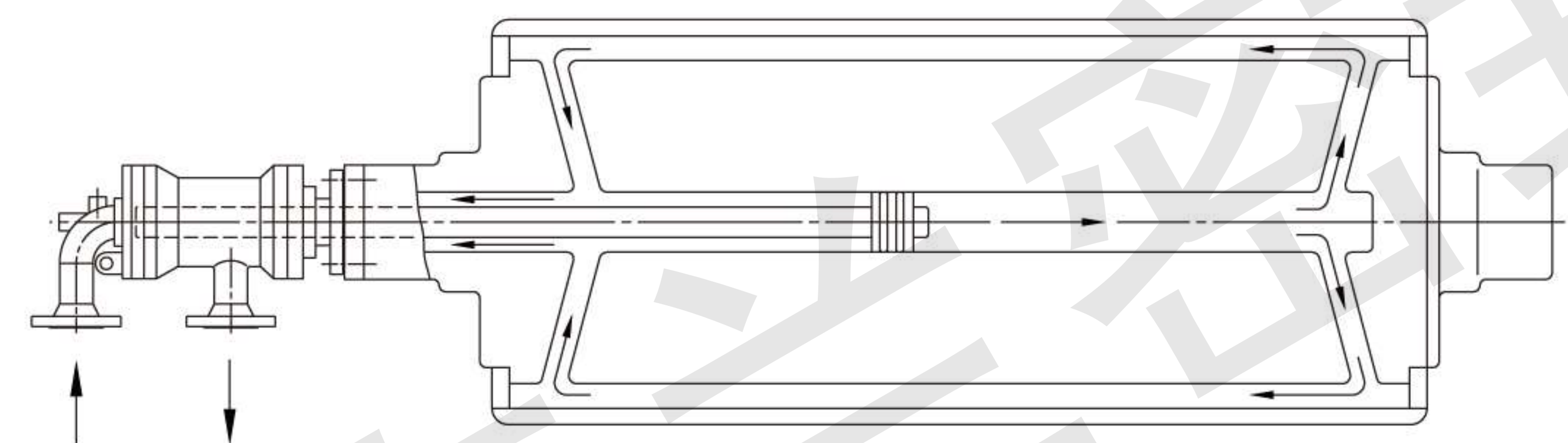
### DUOFLOW ROTATING INTERNAL PIPE

複流式 (內管旋轉)

A rotating internal pipe has to be used for rolls with drill rolls to prevent the fluids inside from flowing back.

鉗孔輪必須使用內管旋轉型，以免內部流體回流。

Fig.2



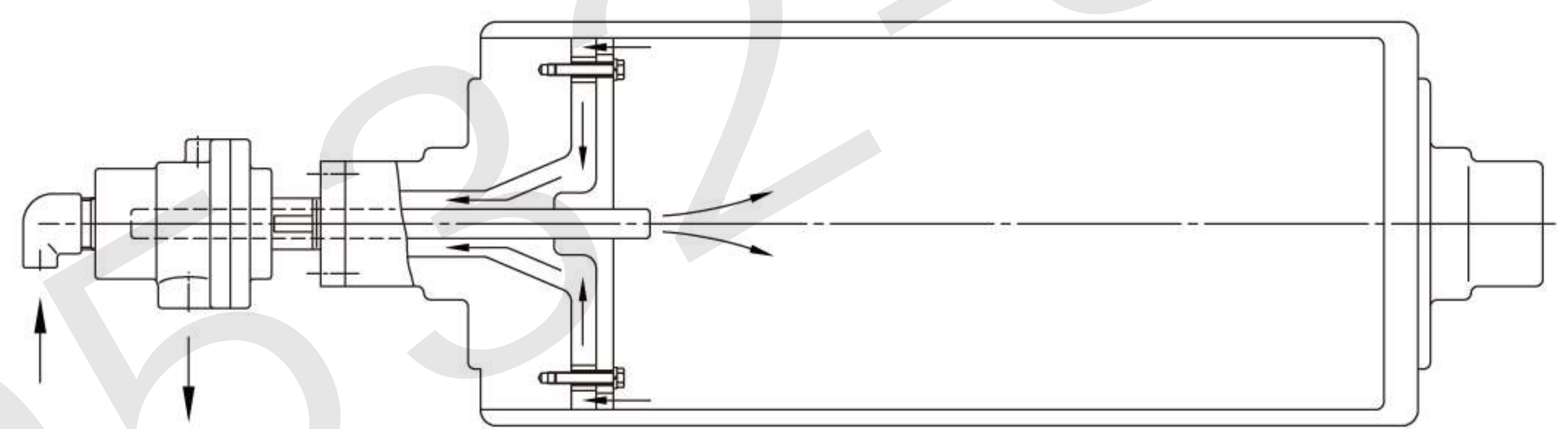
### DUOFLOW ROTATING INTERNAL PIPE

複流式 (內管旋轉)

This type shows small diameter rolls which make installation of the syphon difficult. Therefore, a special structure has to be used. Condensate is discharged from the seams in the inner wall.

此型為輪徑不大，虹吸管安裝不易，故滾輪採特殊結構冷凝水由內壁之預留夾縫排出。

Fig.3



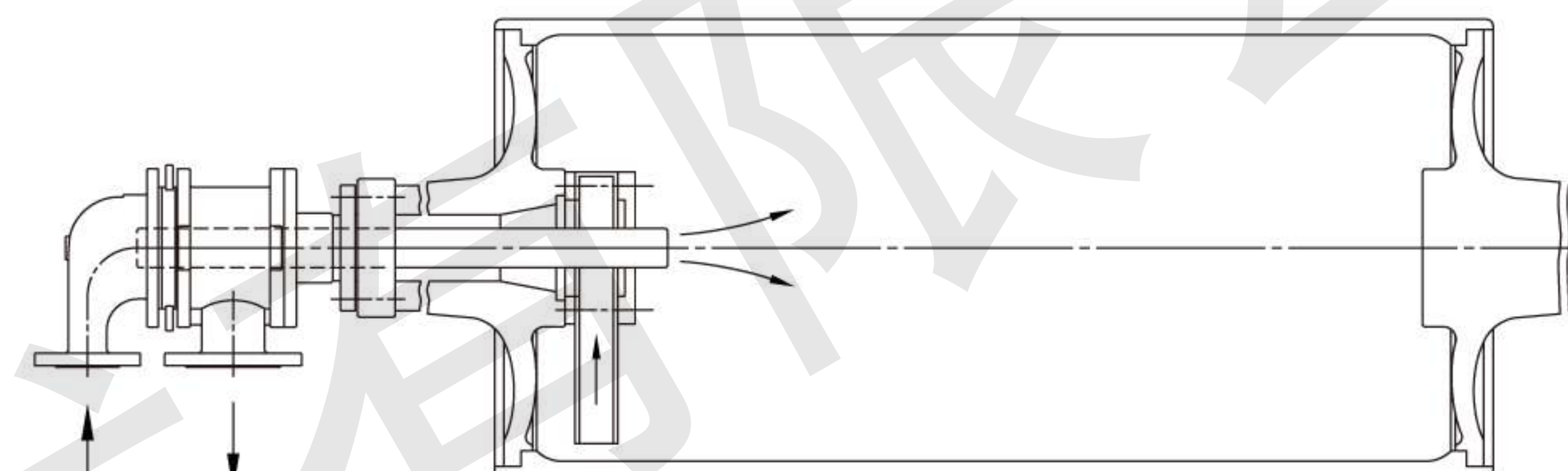
### DUOFLOW ROTATING INTERNAL PIPE

複流式 (內管旋轉)

For this type, steam sprays from the internal pipe. Condensate is discharged from the rotary water scoop attached to the inner wall.

此型為由內管進蒸氣，然後冷凝水由附於內壁之旋轉式勺水器排出。

Fig.4



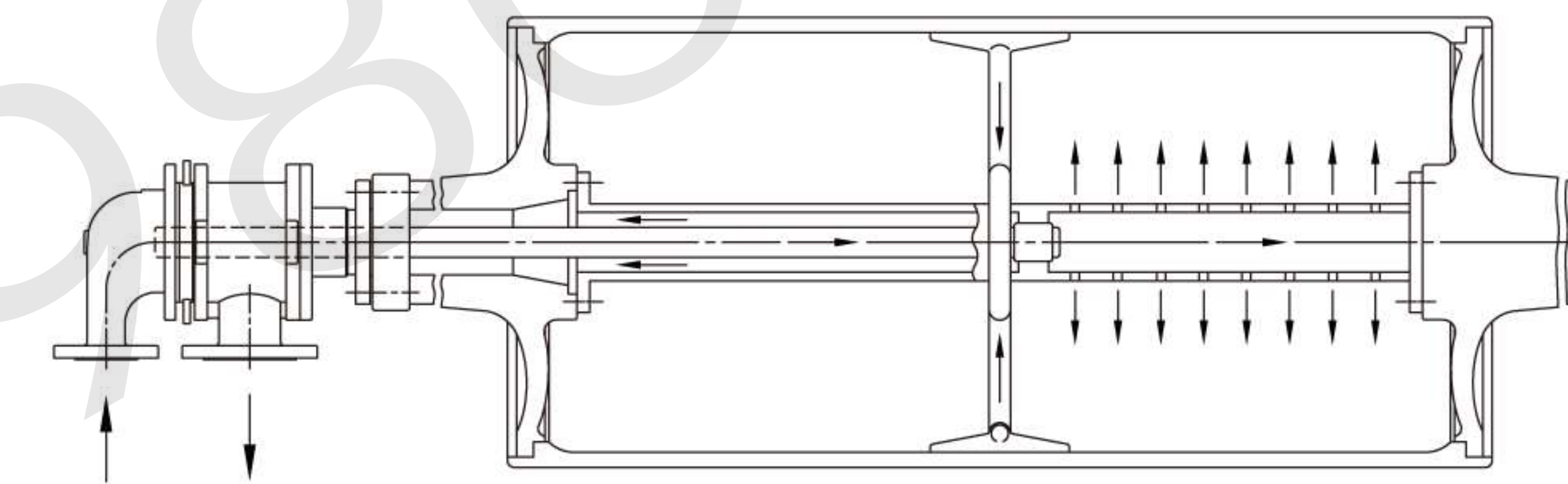
### DUOFLOW ROTATING INTERNAL PIPE (SYPHON)

複流式 (內管旋轉)

This type is used with a king-size dryer. Steam sprays from the internal pipe. The condensate is discharged from two rotating collectors.

此型為大型烘缸用，由內管進蒸氣，冷凝水由兩隻旋轉式集水器排出。

Fig.5



### DUOFLOW ROTATING INTERNAL PIPE (SYPHON)

複流式 (內管旋轉)

This type shows a rotating syphon assembled in the inner wall of the dryer. At high speed, the condensate will adhere to the inner wall due to centrifugal force and is continuously discharged through water catchment port "W".

此型為烘缸內壁裝配旋轉式虹吸管，當快速運轉時，冷凝水因離心力而附著於內壁，集水口“W”連續排出。

Fig.6

